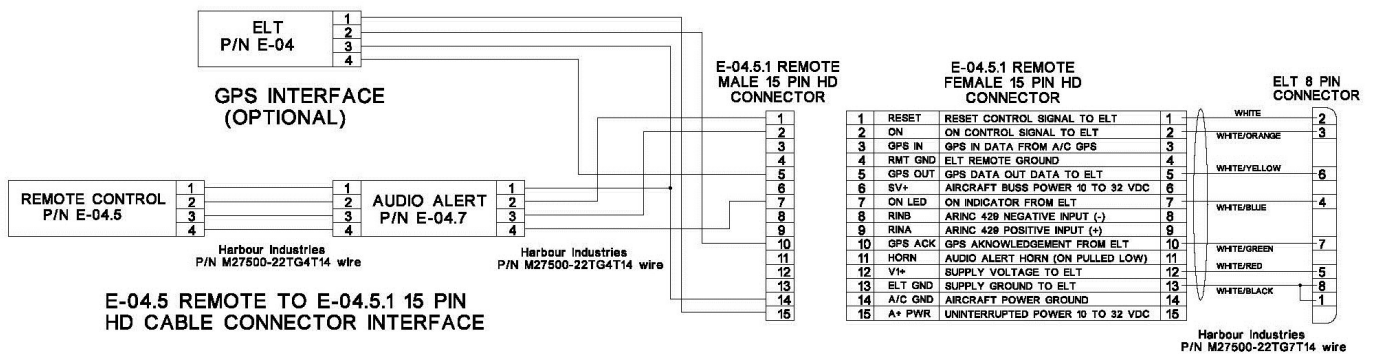


November 24, 2013

Installation Advisory IA E-04C.2

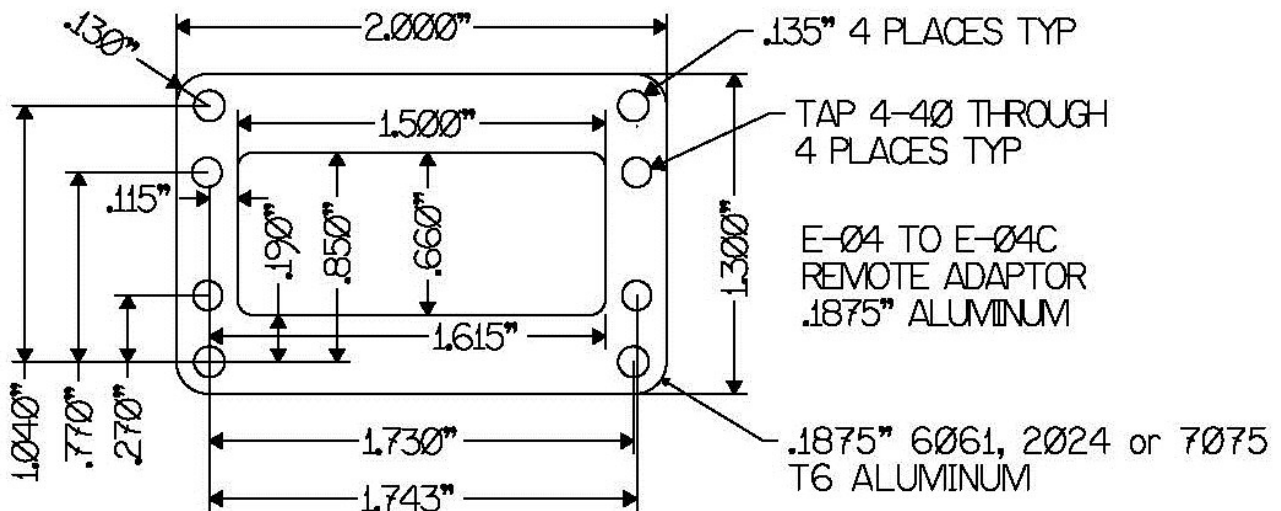
To: ACK Technologies Inc. model E-04 121.5/406 MHz ELT distributors and installers

If panel space is limited the model E-04.5 remote control may be used with the model E-04C ELT this remote allows the basic functions of the ELT as required by TSO-C126b to function. GPS input can be connected if desired however it is limited to the model E-04 data formats The following diagram shows the interconnection of the remote to the E-04C 15 Pin HD plug.



When replacing the E-04.5.1 remote with the E-04.5 remote fabricate the following adaptor plate.

E-04.5 TO E-05.1 REMOTE ADAPTOR



When using this configuration you must use the E-04 operation manual for operation and continuing airworthiness requirements.